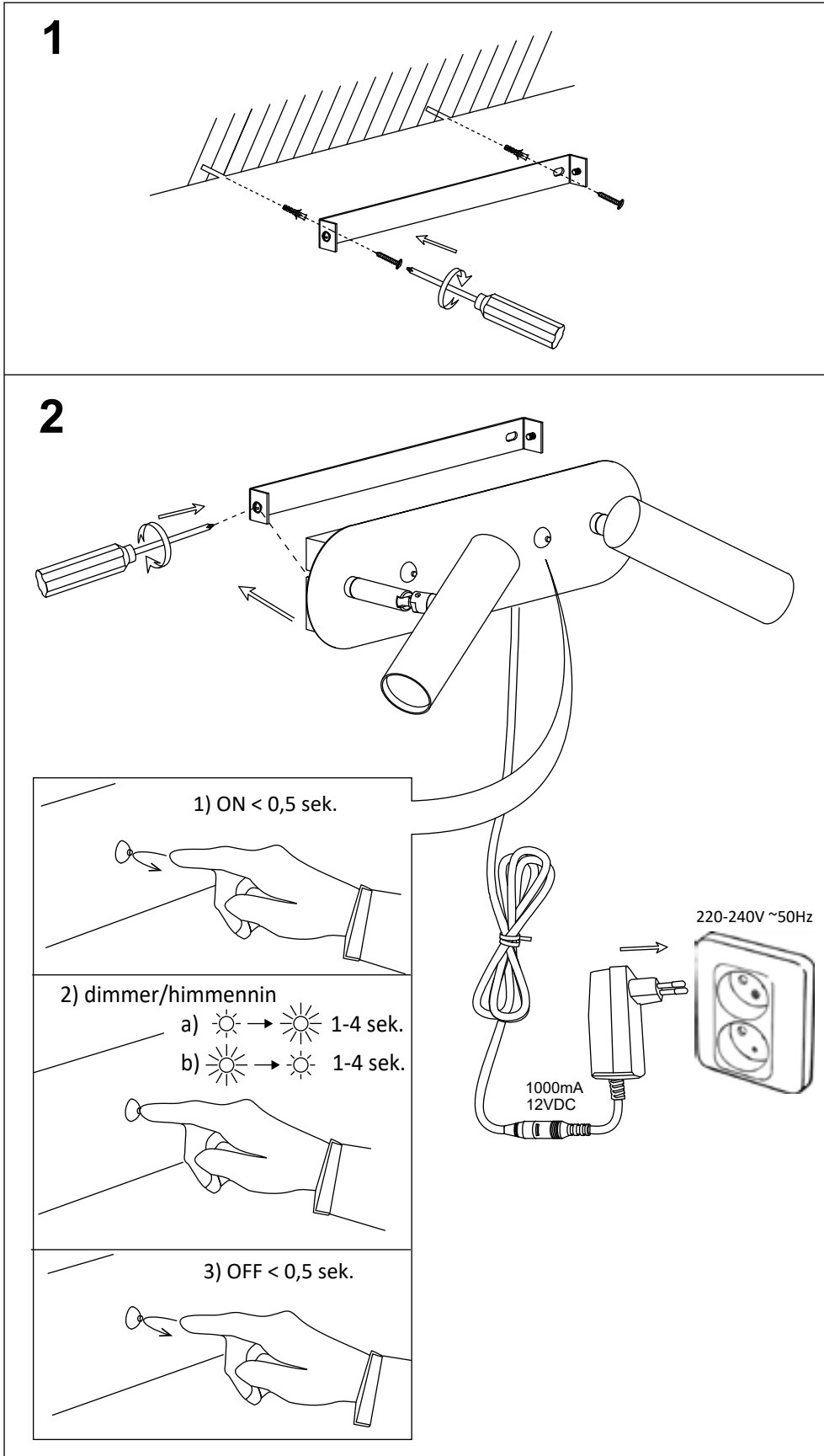


ARTIC
60101

ANETA
LIGHTING
LIGHTS FOR HOME AND WORK SINCE 1947



SE: Denna produkt innehåller två ljuskällor med energieffektivitetsklass E.
Lysdioderna är utbytbara som reservdelar. 50000 tim ≈ 20 år (6 tim/dag)

NO: Dette produktet inneholder to lyskilder med energieffektivitetsklasse E.
Diodelyskilderne kan skiftes som reservdeler. 50000 tim ≈ 20 år (6 tim/dag)

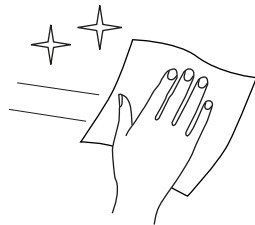
FI: Tämä tuote sisältää kaksi valonlähdettä, joiden energiatehokkuusluokka on E.
LED valolähde vaihdetta vissa, löytyy varaosana. 50 000 tuntia ≈ 20 vuotta (6 t/päivä)

EN: This product contains two light sources of energy efficiency class E.
The LED-chips are exchangeable as a spare part. 50000 h ≈ 20 years (6 h/day)

Light Source data (1 pce):

Lighting technology used:	LED	CCT colour temperature:.....	3000 K
Mains or non-mains:	non-mains	On-mode power:	5,5 W
Directional or non-directional:	non-directional	Stand-by power:	N/A
Connected L.S.:	no	Networked standby power:	N/A
Color-tuneable:	no	CRI:	≥ 80
Envelope:	no	R9 color rendering index:	2
High luminance:	no	sdc _m :	< 6
Anti-glare shield:	no	Chromaticity coordinates (X, Y): ...	0.438, 0.401
Dimmable:	yes	Lifetime L ₇₀ B ₅₀ :	50 000 hours
Energy consumption in on-mode: .	6 kWh / 1000 h	Lumen maintenance factor:	0.96
Energy efficiency class (A-G):	E	Survival factor:	0.91
Useful luminous flux:.....	672 lm *	Power supply input:	0.6 A, ~9,15VDC

* The luminous flux stated here is the value for the light source itself in accordance with Regulation (EU) 2019/2015. The luminous flux stated on the packing box is for the lighting fitting, where the light from the light source is partly absorbed by glass/glare shield/shade and parts of the fitting, and is therefore lower than for the light source.



SE: Rengöring: Torkas med torr trasa.
Om kabeln på lampan blir skadad skall den bytas ut av kunnig fackman.

NO: Rengjøring: Tørkes av med tørr klut.
Hvis ledningen til lampen blir skadet må den skiftes av opplært fagmann.

EN: Cleaning: Wipe with a dry cloth.
If the cable or cord of this luminaire is damaged, it shall be replaced by a qualified person.

FI: Puhdistus: Pyyhi kuivalla liinalla.
Jos valaisimen johto on vahingoittunut niin johdon pitää vaihtaa ja vaihdon tekee ammattimies.